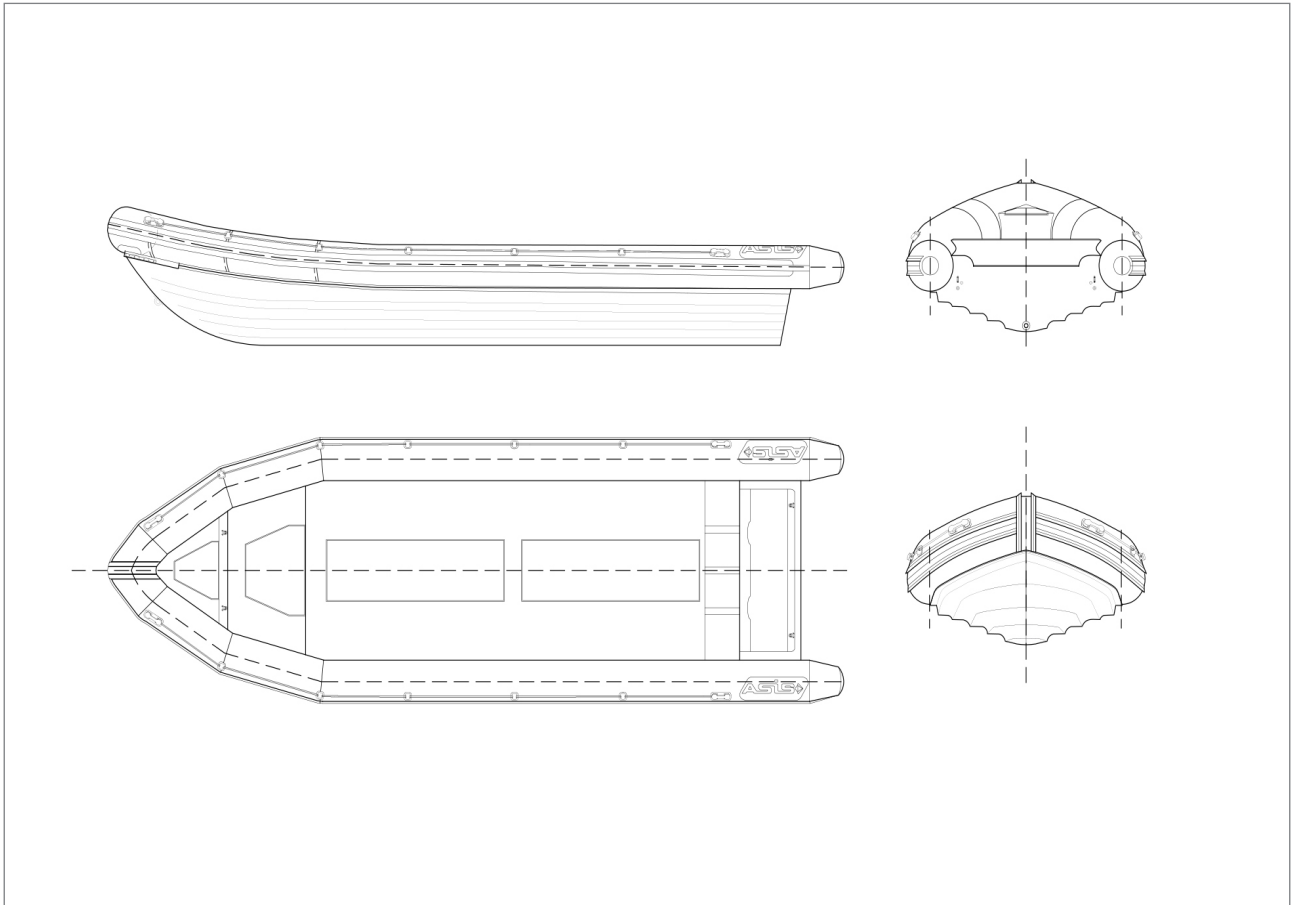




ASIS CUSTOMIZED 12.5

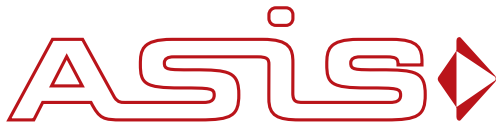
Technical Specifications - Page 1/2



GENERAL	
Hull	Aluminium
Superstructure	Aluminium
Collar	Hypalon 1670 Dtex ; Air or Foam
Description	ASIS Customized 12.5
Classification	Category B
Number of Air Chambers	9 No.

DIMENSIONS	
Length	12515 mm
Beam	4270 mm
Tube Dia	565 mm
Total Weight (Empty Boat)	4800 Kg
Displacement (Maximum Payload)	3720 Kg

* ISO 6185



ASIS CUSTOMIZED 12.5

Technical Specifications - Page 2/2

CAPACITIES	
Fuel Tank (Maximum Capacity)	1400 L
Fresh Water	Optional
Waste Water	NA
Number of Passenger	25

ELECTRICAL	
Power Supply	12 V Electric Supply
Generator	Optional

PROPULSION	
Recommended Power (HP)	800 HP
Propulsion	Outboard / Inboard ; Stern or Jet Drive
Maximum Power (HP)	1100 HP

NAVIGATION & COMMUNICATIONS	
As per the customer's requirements	