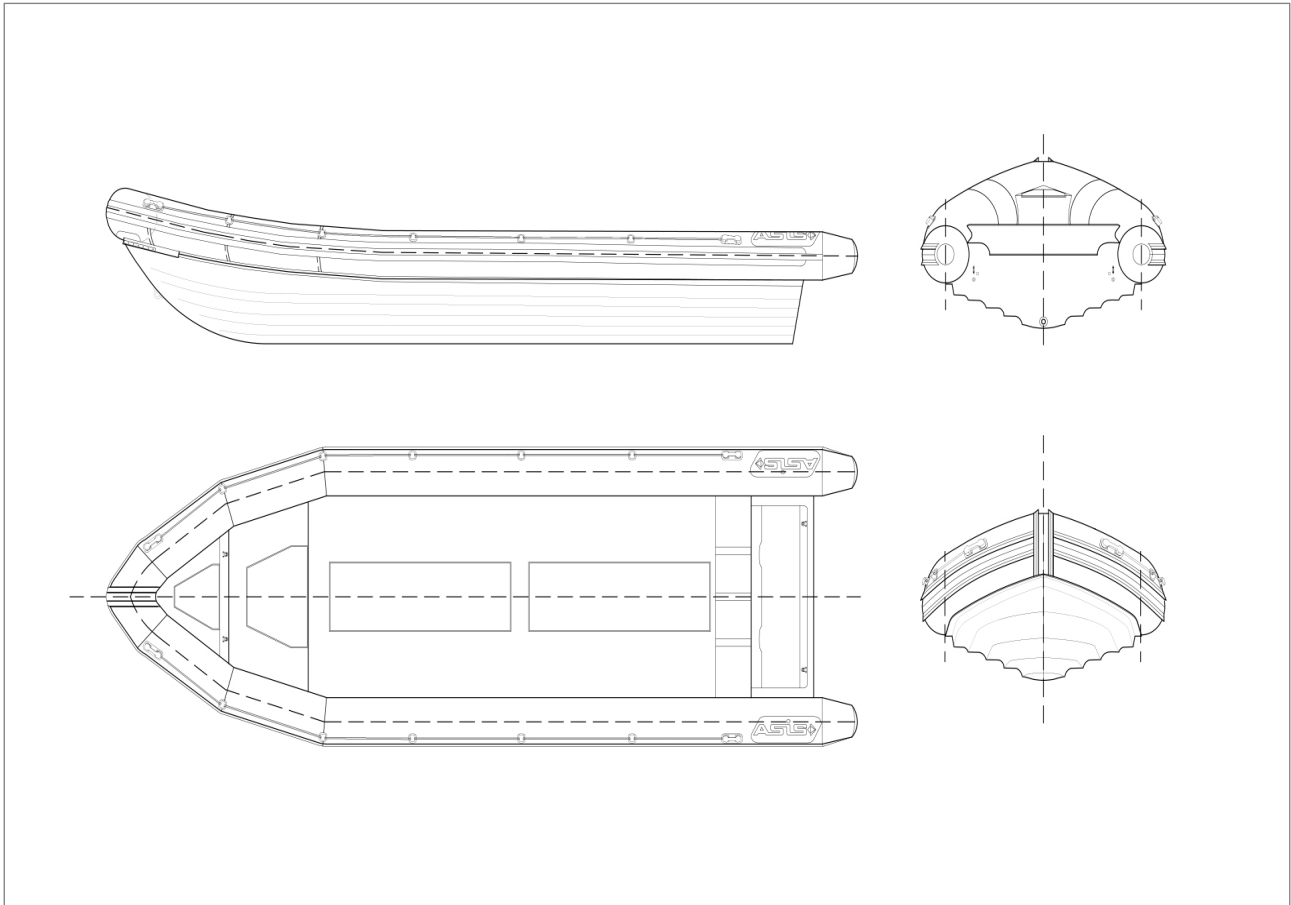


# ASIS CUSTOMIZED 9.5

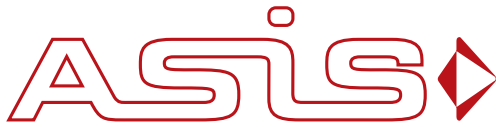
Technical Specifications - Page 1/2



<b>GENERAL</b>	
Hull	GRP
Superstructure	GRP
Collar	Hypalon 1670 Dtex ; Air or Foam
Description	ASIS Customized 9.5
Classification	Category B
Number of Air Chambers	7 No.

<b>DIMENSIONS</b>	
Length	9500 mm
Beam	3170 mm
Tube Dia	550 mm
Total Weight (Empty Boat)	1430 Kg
Displacement (Maximum Payload)	2950 Kg

\* ISO 6185



# ASIS CUSTOMIZED 9.5

Technical Specifications - Page 2/2

<b>CAPACITIES</b>	
Fuel Tank (Maximum Capacity)	775 L
Fresh Water	Optional
Waste Water	NA
Number of Passenger	20

<b>ELECTRICAL</b>	
Power Supply	12 V Electric Supply
Generator	Optional

<b>PROPULSION</b>	
Recommended Power (HP)	400 HP
Propulsion	Outboard / Inboard
Maximum Power (HP)	700 HP

<b>NAVIGATION &amp; COMMUNICATIONS</b>	
As per the customer's requirements	