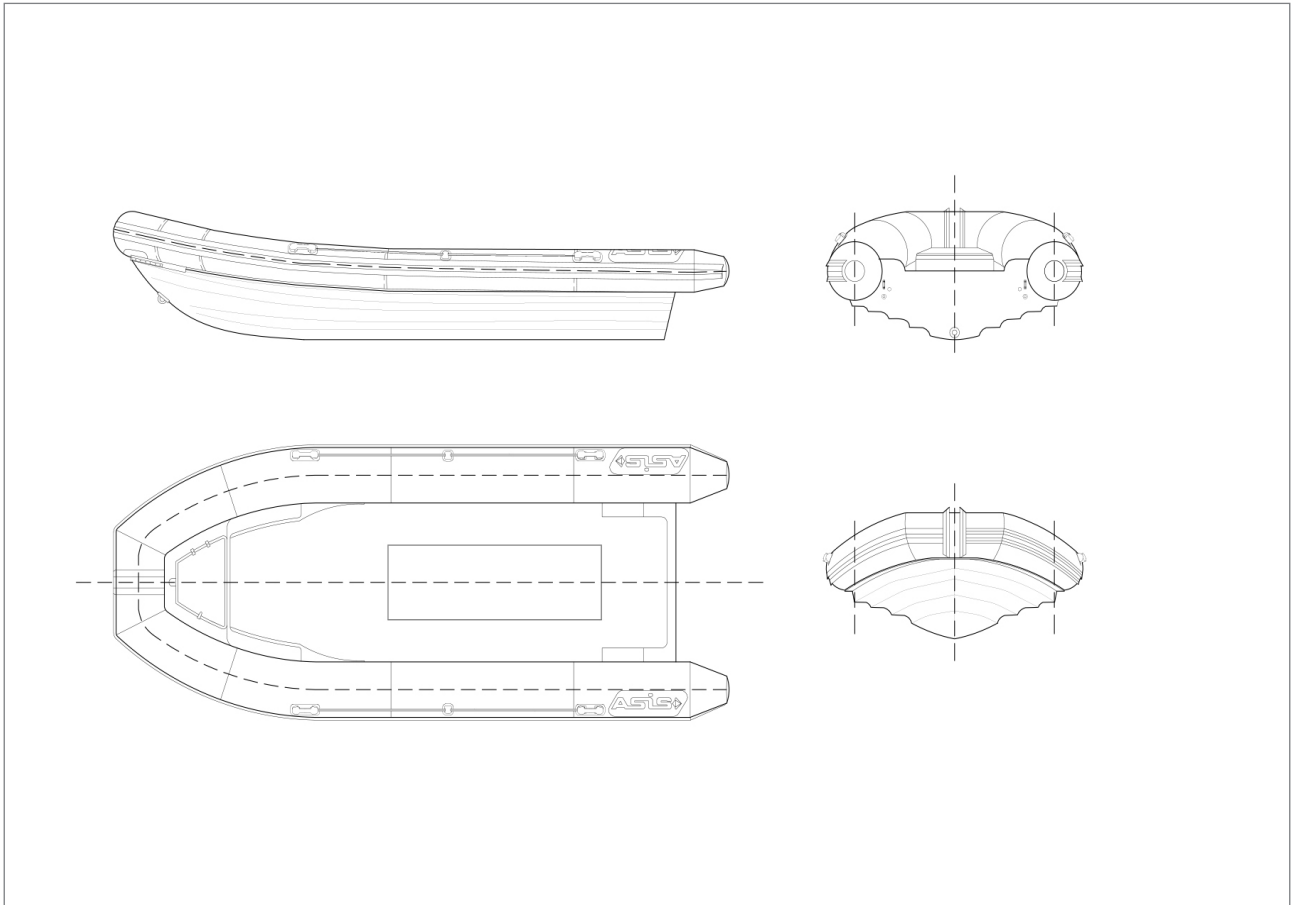


# ASIS CUSTOMIZED 5.5

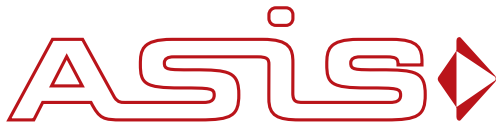
Technical Specifications - Page 1/2



<b>GENERAL</b>	
Hull	GRP or Aluminium
Superstructure	GRP or Aluminium
Collar	Hypalon 1670 Dtex ; Air or Foam
Description	ASIS Customized 5.5
Classification	Category C
Number of Air Chambers	4 No.

<b>DIMENSIONS</b>	
Length	5370 mm
Beam	2210 mm
Tube Dia	460 mm
Total Weight (Empty Boat)	380 Kg
Displacement (Maximum Payload)	1190 Kg

\* ISO 6185



# ASIS CUSTOMIZED 5.5

Technical Specifications - Page 2/2

<b>CAPACITIES</b>	
Fuel Tank (Maximum Capacity)	90 L
Fresh Water	Optional
Waste Water	NA
Number of Passenger	7

<b>ELECTRICAL</b>	
Power Supply	12 V Electric Supply
Generator	NA

<b>PROPULSION</b>	
Recommended Power (HP)	75 HP
Propulsion	Outboard / Inboard
Maximum Power (HP)	120 HP

<b>NAVAGATION &amp; COMMUNICATIONS</b>
As per the customer's requirments